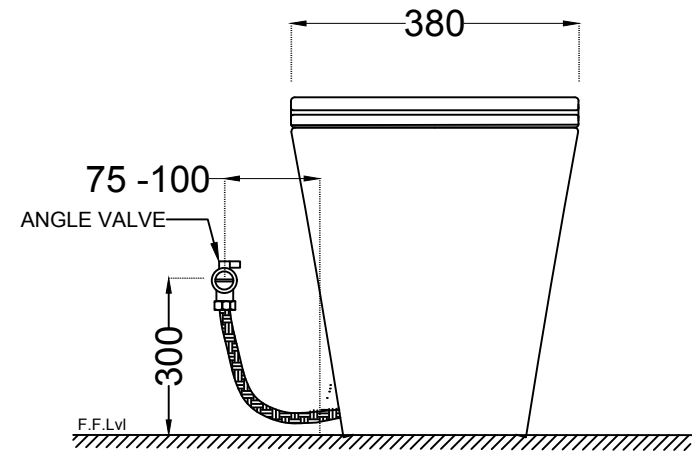
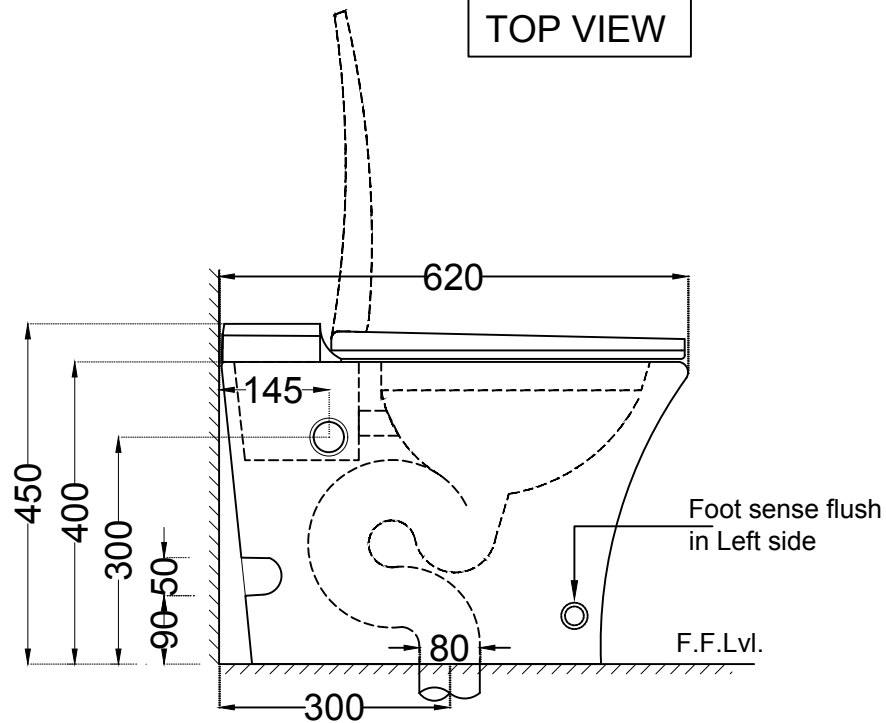


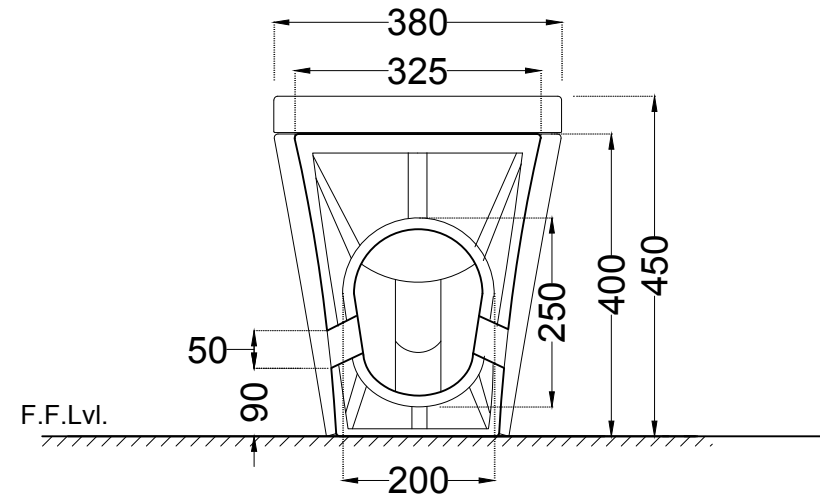
TOP VIEW



FRONT VIEW



SIDE VIEW



BACK VIEW



Jaquar Group
 Global Headquarters
 Plot No. 3, Sector- M-11, IMT Manesar
 Gurgaon, NCR - 122050, India
 E-mail : Sales: support@jaquar.com
 Customer Service : service@jaquar.com

ITEM CODE	ONS-WHT-10851S300UFSMTL
ITEM TYPE	SINGLE PIECE WC S TRAP-300 MM
ITEM SIZE	380x620x450 mm
ALL DIMENSIONS ARE IN MM. (TOLERANCE ± 5 MM)	